

WINDOW ESPAG IDENTIFICATION SHEET

PART NUMBERS OR ANY MARKING

FACE PLATE

FLAT
 U-RAIL
 SINGLE TRACK

WIDTH.....
 LENGTH.....

CENTRE DRIVE GEAR

INLINE
 OFF SET

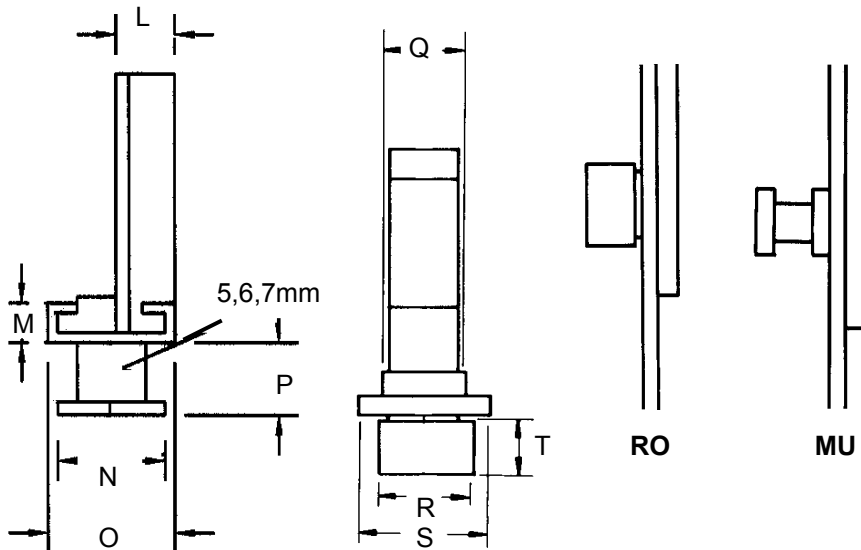
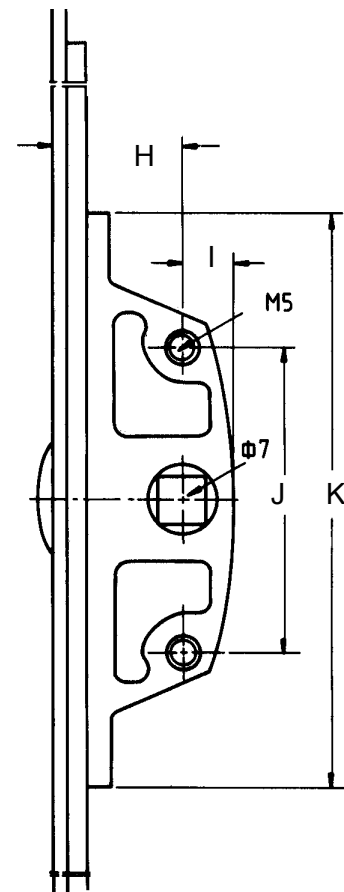
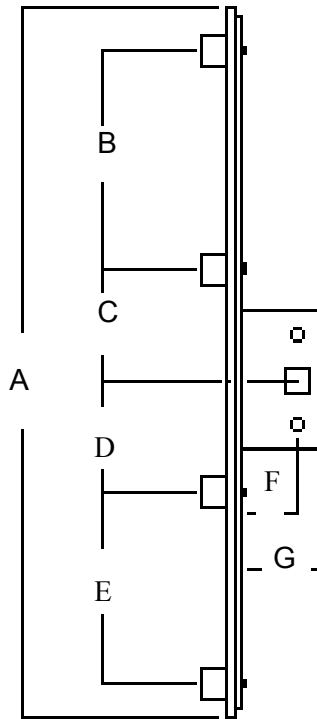
NUMBER OF CAMS

2
 3
 4

TYPE OF CAM

RO = ROLLER CAM
 MU = MUSHROOM CAM

ANY COMBINATION PLEASE STATE.....



A	Espag length	
B	1 st cam to 2 nd	
C	2 nd cam to spindle	
D	Spindle to 3 rd cam	
E	3 rd cam to 4 th	
F	Back set	
G	Case depth	
H	Back set	
I	Case depth	
J	Screw fixing centres	
K	Case length	
L	Case width	
M	Track height	
N	Mushroom width	
O	Track width	
P	Mushroom height	
Q	Case width	
R	Roller width	
S	Rail width	
T	Roller height	